



## SCH1085 - Lincat Seal Counter-top Heated Food Display Showcase - W 1085 mm - 2.05 kW

Showcase your delicious dishes with the gastronorm compatible Seal Heated Food Display.

- ✓ Attractive understated styling blends with any setting and enhances display for improved customer spend on food
- ✓ Fully-adjustable precise thermostatic control up to 95°C with digital display of cabinet
- ✓ Deep top shelf for increased display capacity - ideal for busy establishments
- ✓ Humidity feature prevents food drying out - food stays in optimum condition for longer, reducing waste
- ✓ Humidity feature prevents food drying out - food stays in optimum condition for longer, reducing waste

### Specifications

#### Summary

<b>Brand</b>	Lincat
<b>Range</b>	Seal
<b>Power Type</b>	Electric
<b>Unit Type</b>	Counter-top
<b>Available in UK Only</b>	No
<b>UK Warranty</b>	2 Years Parts and Labour Warranty
<b>Export Warranty</b>	Contact your local dealer
<b>GTIN</b>	5056105104391

#### Power and Performance

<b>Total Power kW</b>	2.05
<b>Temperature Range °C</b>	72-95
<b>IP Rating</b>	IP33
<b>Temperature Control</b>	Electronic

#### Key Specifications

<b>Number of Shelves included</b>	1
<b>Number of Shelf Positions</b>	1
<b>Service Type</b>	Back service
<b>Rack Type</b>	Static
<b>Type of Lighting</b>	Fluorescent
<b>Heated Base</b>	Yes

#### Capacity

<b>Gastronorm Capacity</b>	3 x GN1/1
----------------------------	-----------

#### Weights and Dimensions

<b>Unit Height (External) mm</b>	665
<b>Unit Width (External) mm</b>	1085
<b>Unit Depth (External) mm</b>	750
<b>Shelf Dimensions Width mm</b>	1,033
<b>Shelf Dimensions Depth mm</b>	355
<b>Net Weight Kg</b>	68

#### Supply Connections

<b>Requires Installation</b>	No
<b>UK 3 Pin Plug</b>	Yes
<b>Requires Hardwiring</b>	No
<b>Electrical Supply Rating Watts</b>	2,050
<b>Single Phase Amps</b>	8.9
<b>Single Phase Voltage</b>	230

#### Shipping

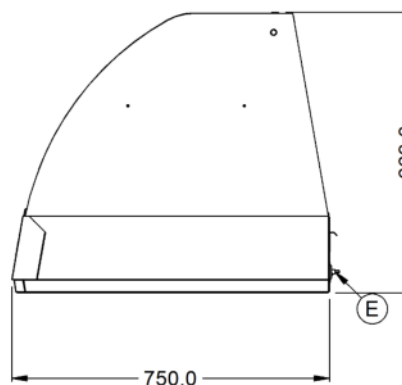
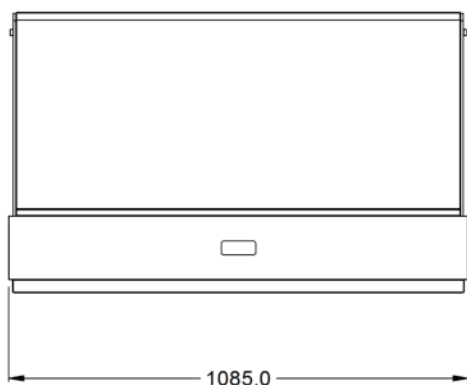
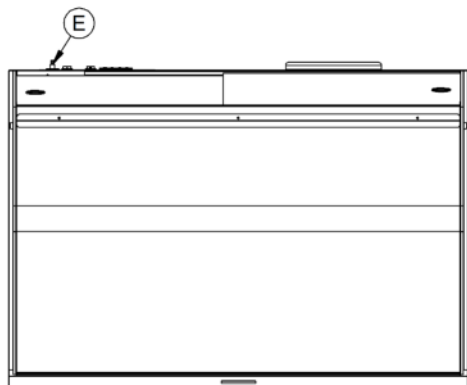
<b>Packed Weight Kg</b>	74.8
<b>Packed Height cm</b>	90
<b>Packed Width cm</b>	117
<b>Packed Depth cm</b>	85

### Available Accessories

BP1085

BASEPLATE SCH1085

Technical Picture



**Lincat Limited**

Whisby Road,  
Lincoln, LN6 3QZ,  
United Kingdom

**Company No:** 2175448

A member company of



**Customer Care**

**Tel:** +44 1522 875500  
**Email:** care@lincat.co.uk

**Export Customers**

**Tel:** +44 1522 875536  
**Email:** export@lincat.co.uk

**Opening Hours**

**Monday – Friday:**  
8.30am – 5pm